

Mafi shoring system Mafi plate C

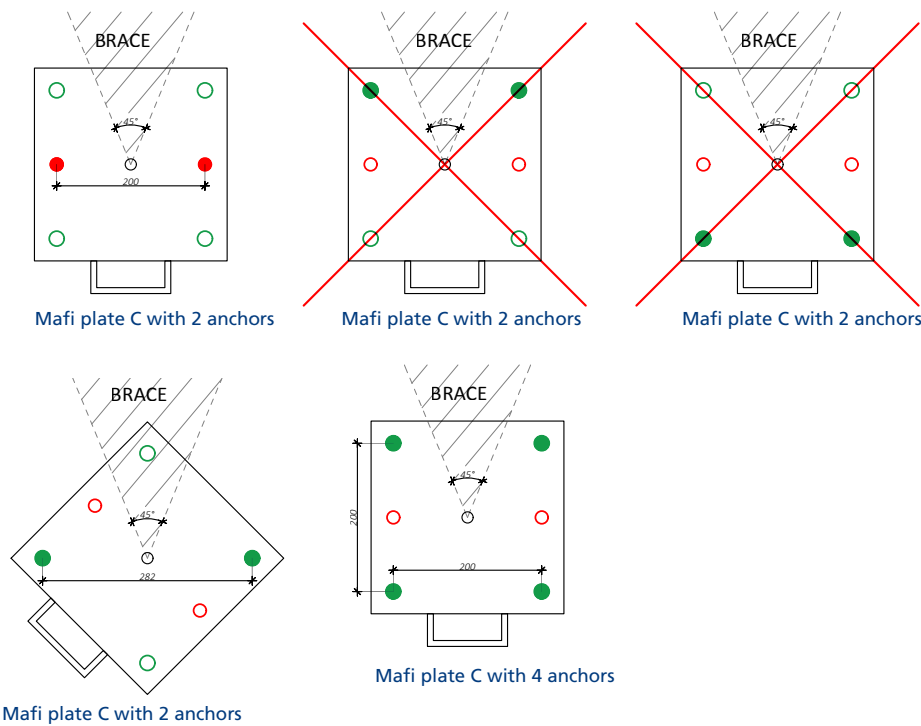
Assembly instructions

Step 1: Number of anchors per Mafi plate C



Step 2: Possible hole pattern Mafi plate C

Mafi plate C



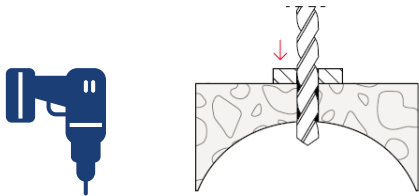
No rights can be derived from this documentation.
Changes reserved.

Edition: nr 5, d.d. 16-07-2025

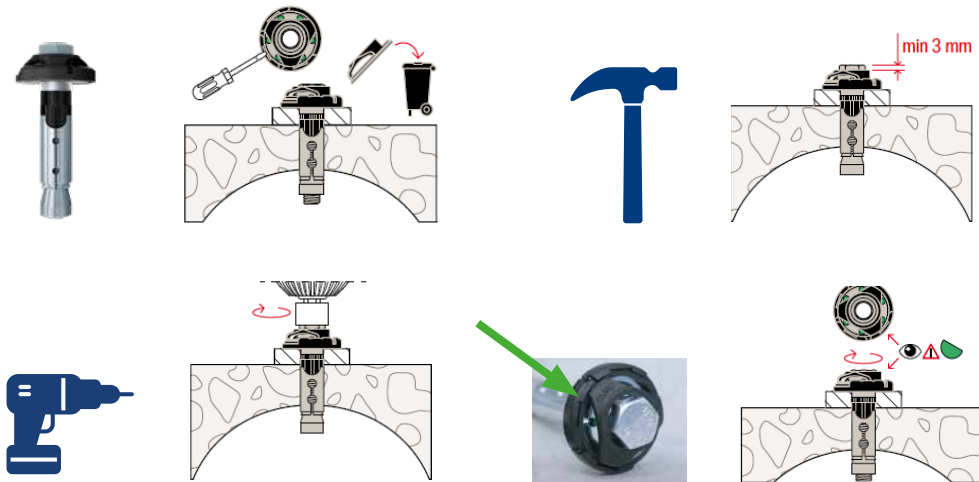
Mafi shoring system Mafi plate C

Assembly instructions

Step 3: Drill the holes in the concrete Ø15 mm or Ø18 mm



Step 4: Place the anchor in the hole, wrench Ø17 mm or Ø19 mm



Step 5: Disassembly

